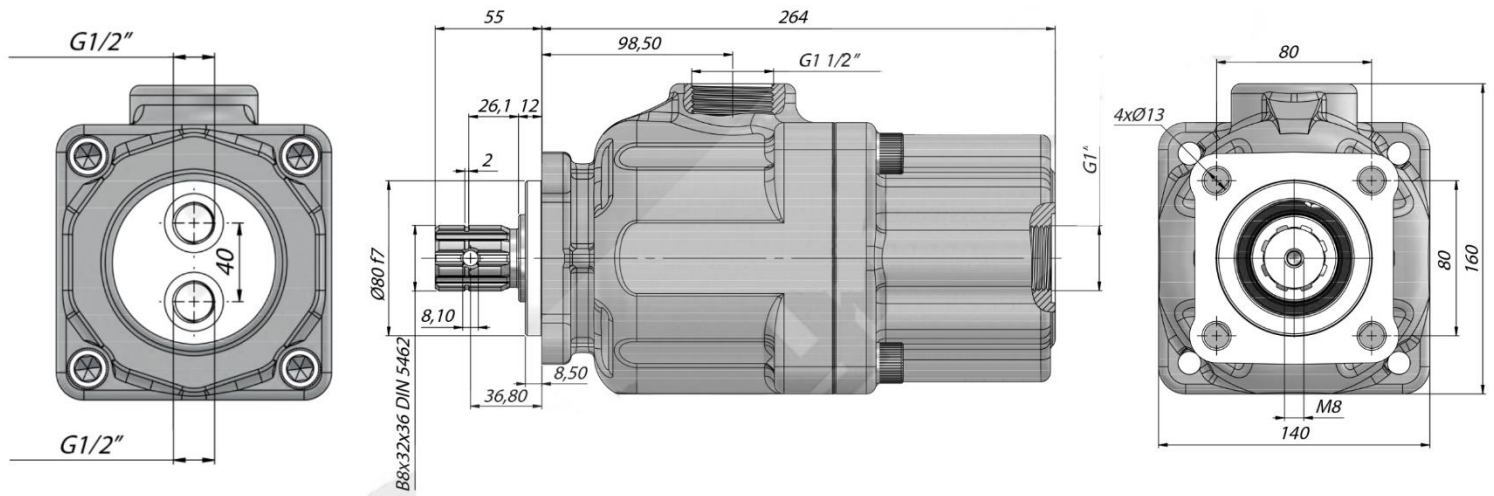


DATASHEET – DIMENSIONS



Weight:	99,8 L/min
Flow:	24 kg
Max. constant pressure:	300 bar
Max. intermittent pressure (20 sec):	320 bar
Max. current pressure (6 sec):	350 bar
Max. constant revolutions:	1500 rpm
Min. revolutions:	300 rpm
Suction thread:	1 1/2"
Pressure thread:	1"
Direction of rotation:	DA
Number of pistons:	10